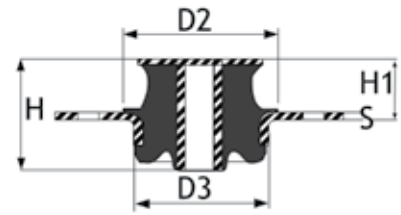
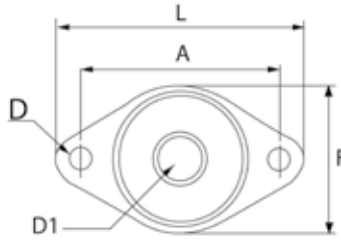
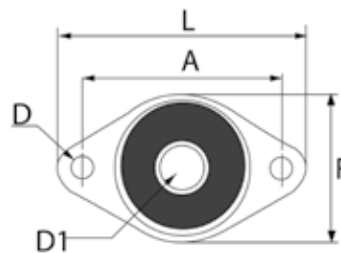
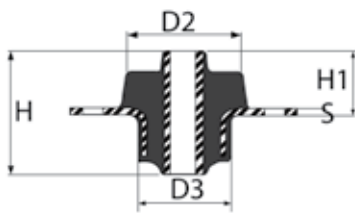


VCBM1, VCBM2



VCBM3



The CAB mounts are designed for use on heavy machinery and plant equipments We have two types available, one with a single flange and the other with a double flange is to increase assembly strength.

- H = Total Height
- L = Length
- F = Flange Length
- D = Hole Diameter
- D1 = Center Hole Diameter
- D2 = Total Diameter
- D3 = Bottom Diameter
- A = Hole Distance
- S = Metal Thickness

<p><b>Features:</b> They are compact fail-safe design. Mounts with cut-out in the rubber section are available where a different vertical/horizontal stiffness ratio is required.</p>	<p><b>Applications:</b></p> <ul style="list-style-type: none"> <li>• Lorry or tractor cabs</li> <li>• Engine &amp; transmission</li> <li>• Mobile generators</li> </ul>	<p><b>Material:</b> Natural Rubber</p>
---	---	--

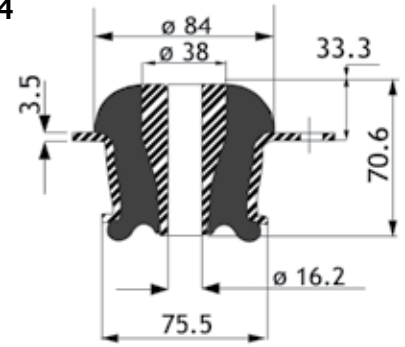
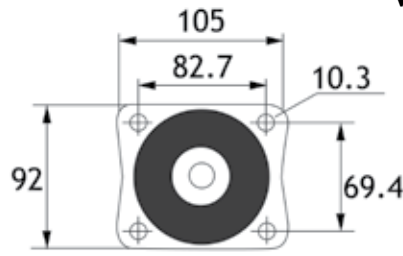
Article No:	H (mm)	H1 (mm)	L (mm)	F (mm)	D (mm)	D1 (mm)	D2 (mm)	D3 (mm)	A (mm)	S (mm)
VCBM1	45	28	114	64	10.3	11.6	48	53	89	3
VCBM2	57	30	133.3	82.5	10.3	17.5	70	57	108	3
VCBM3	85.4	44.2	158	95	10.5	19.3	80.8	64.8	127	4

Article No:	ShA.	Max Load Axial (kg)	Static Deflection (mm)
VCBM1	30	91	4.6
	40	114	4.6
	50	159	4.8
	60	182	4.6
	70	227	4.8
VCBM2	30	364	5.1
	40	364	4.6
	50	455	4.6
	60	545	4.6
	70	636	4.6
VCBM3	30	192	11.5
	40	312	6.9

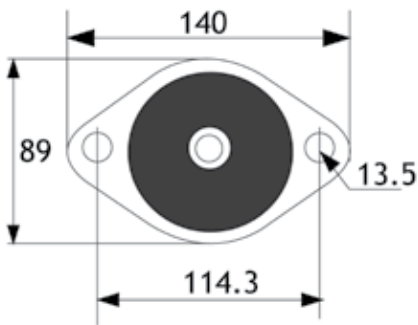
This information is for guidance only. Customers are recommended to contact us for further technical information on products and applications. We reserve the right to alter specifications or withdraw products without notice.



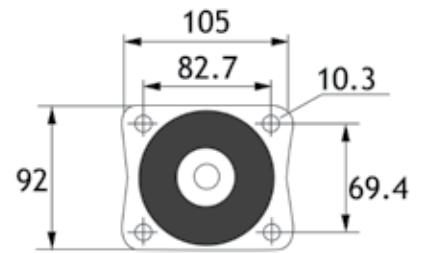
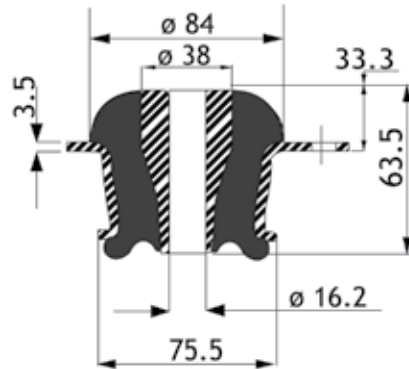
VCBM4



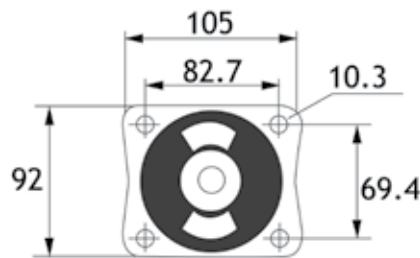
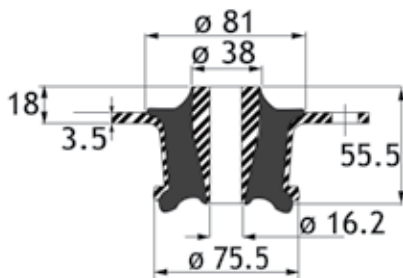
VCBM5



VCBM6



VCBM7



Article No:	ShA	Max Load (kg)	Static Deflection (mm)
VCBM4	30	250	6.0
	40	500	6.0
	50	600	4.8
VCBM5	30	200	6.5
	40	350	5.4
	50	500	5.3
VCBM6	30	200	6.5
	40	350	5.4
	50	500	5.3
VCBM7	30	780	6.8
	40	200	5.5
	50	250	4.7

This information is for guidance only. Customers are recommended to contact us for further technical information on products and applications. We reserve the right to alter specifications or withdraw products without notice.