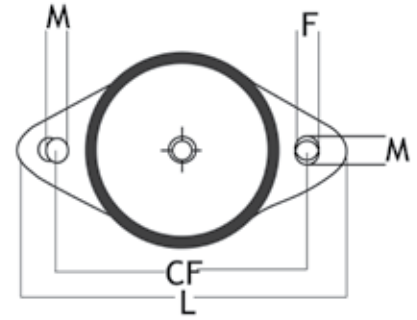
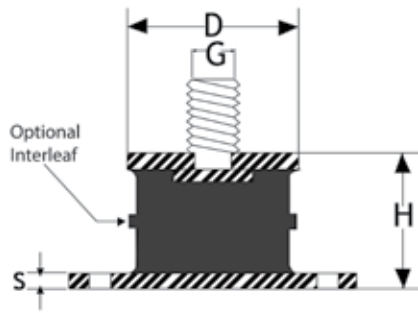


ANTI VIBRATION P FLANGE MOUNTS



ANTI VIBRATION FLANGE MOUNT- MALE

Flange Mountings are a simple, low cost, compression mounting ,providing good levels of vibration reduction. The mountings are produced with & without an inter-leaf metal. The inter-leaf metal provides increased load capacity.

H= Height
L= Flange Length
D= Diameter
G = Thread Size/ Nut Size
CF= Hole Distance
S= Metal Thickness
M/F= Top Diameter

Applications:

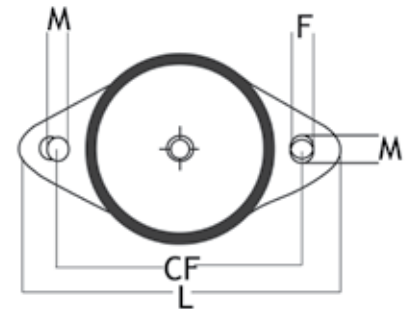
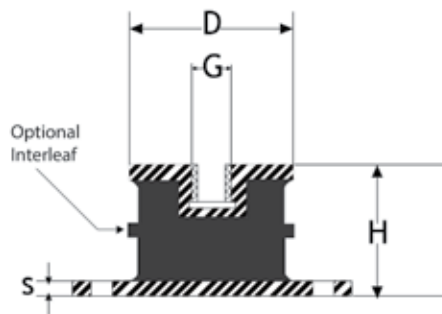
- Generating Sets
- Pumps
- Fans
- Compressors
- Vibratory Screens
- Processing Equipment etc.

Material:

Natural Rubber

Article no:	H (mm)	L (mm)	D (mm)	G	CF (mm)	S (mm)	M (mm)	F (mm)	Min Load (daN)	Max Load (daN)
VPM 5 M	48	144	88	M12 x 38	112	3	11	11	70	700
VPM 6 M	64	215	124	M20 x 44	180	4	23	18	150	2000

ANTI VIBRATION FLANGE MOUNT- FEMALE



Article no:	H (mm)	L (mm)	D (mm)	CF (mm)	G	S (mm)	F (mm)	M (mm)	Min Load (daN)	Max Load (daN)
VPM 5 F	48	144	88	112	M12	3	11	11	70	700
VPM 6 F	64	215	124	180	M20	4	23	18	150	2000

This information is for guidance only. Customers are recommended to contact us for further technical information on products and applications. We reserve the right to alter specifications or withdraw products without notice.