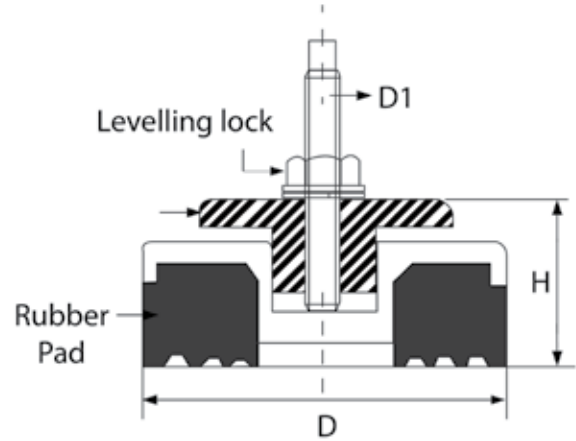


ANTI VIBRATION LEVELING FOOT MOUNTS



Machinery Leveling Foot Mounts are suitable for isolating vibration from heavy machinery and also acts as a levelling device for un-even flooring.

H = Height
D = Diameter
G = Thread Size

Applications:

- Machine Tools
- Lathes
- Presses
- Heavy Industrial Equipment,
- Conveyors
- Food Processing & Pharmaceutical equipment
- Generator Sets.

Material:

Natural Rubber

Article No:	H (mm)	D (mm)	Adjustable Level	G	Load Capacity
VFM 100	22	40	Nil	M10	50-100
VFM 200	42	50	50	M10	100-200
VFM 400	42	85	50	M10/12	200-400
VFM 600	50	105	60	M12/16	400-600
VFM 800	50	125	60	M12/16	600-800
VFM 1000	56	145	68	M16/20	700-1100
VFM 1200	56	165	68	M16/20	900-1400
VFM 1600	68	185	80	M16/20	1200-1800
VFM 2000	68	200	80	M16/20/24	1600-2000

This information is for guidance only. Customers are recommended to contact us for further technical information on products and applications. We reserve the right to alter specifications or withdraw products without notice.