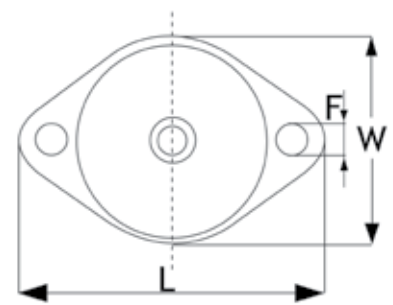
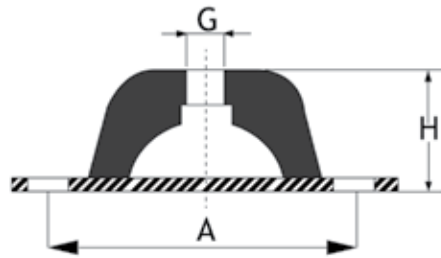


# ANTI VIBRATION MACHINE MOUNTS



Machine mounts are ideal for use, as shock mounts or high isolation in static applications such as small pumps, engines and light electronic equipment.

H = Height  
L = Length  
G = Thread Size  
A = Hole Distance  
F = Hole Size  
W = Width

**Features:**

- Achieves high isolation values (both active and passive) of low frequency vibration.
- Attenuates shock loads due to its deflection capacity ideal for mounting sensitive electronics and lights in transit.
- Available in stainless steel for food & mining industry applications.

**Applications:**

- Fans
- Pumps
- Stationary generator sets
- Vibrating screens
- Bulk bin load and discharge units
- Computers, security cameras
- Packaging and transit case mountings

**Materials:**

Natural Rubber

Article No.	H (mm)	L (mm)	G (mm)	A (mm)	F (mm)	W (mm)	Base Shape
VMM6420	20	64	M6	50	7	43	Oval
VMM8525	25	88	M8	66	8	59	Oval
VMM8525M10	25	88	M10	66	8	59	Oval
VMM10027	27	100	M8	76	7	70	Oval
VMM11435	35	115	M10	92	10	76	Oval
VMM13640	40	136	M10	110	11.5	96	Oval
VMM15145	45	151	M10	124	11.5	101	Oval
VMM15063	63	150	M12	120	14.5	150	Square
VMM20085	85	200	M16	160x160	14.5	200	Square
VMM310160	160	310	M24	250x250	18	310	Square

Article No:	45 ShA		60 ShA	
	Maximum Load (kg)	Static Deflection (mm)	Maximum Load (kg)	Static Deflection (mm)
VMM6420	3.5	3	9	3.5
VMM8525	20	4	40	4.5
VMM8525M10	20	4	40	4.5
VMM10027	30	4.5	55	5.0
VMM11435	40	6.0	65	8.5
VMM13640	70	8.5	130	11
VMM15063	302	14	500	13
VMM15145	130	10.0	220	10.0
VMM20085	380	18	750	18
VMM310160	1400	45	2500	50

This information is for guidance only. Customers are recommended to contact us for further technical information on products and applications. We reserve the right to alter specifications or withdraw products without notice.