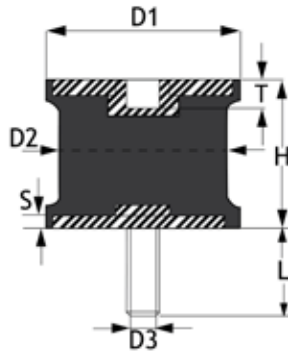


ANTI VIBRATION PROFILE BOBBINS



PROFILE BOBBINS - MALE/FEMALE

H = Height
 L = Thread Length
 D1 = Mount Diameter
 D2 = Mount Center Diameter
 G = Thread Size
 B = Thread Depth
 S = Metal Thickness

Profile Bobbin Mounts are ideal for applications where high dynamic forces are applied, particularly where applications require high Shear/Compression. The oversized end metals allows for an improved bonded interface between the rubber & metal, to increase the fatigue life when the parts are used for high dynamic applications.

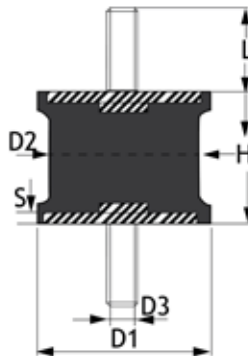
Applications:

- Vibratory rollers.
- Sieves and Grading equipment.
- Industrial Machinery including diesel engines.

Material:

Natural Rubber

Article No.	H (mm)	L (mm)	D1 (mm)	D2 (mm)	G	B (mm)	S (mm)	Max Load 45 ShA (Kg)	Max Load 60 ShA (Kg)
VBMF2030	30	18	20	15	M6	6	2	5.2	10.2
VBMF2040	40	18	20	15	M6	6	2	4	7.5
VBMF2522	22	18	25	22	M6	6	2	14	27
VBMF4028	28	23	40	35	M8	8	2	27	52
VBMF4625	25	28	46	40	M10	10	2	71	140
VBMF5030	30	28	50	40	M10	10	2	60	119
VBMF7540	40	37	75	70	M12	12	3	141	279
VBMF10075	75	41	100	95	M16	18	3	226	447

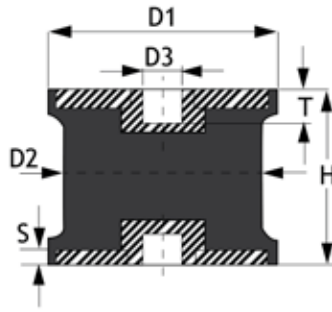


PROFILE BOBBINS - MALE/MALE

H = Height
 L = Thread Length
 D1 = Mount Diameter
 D2 = Mount Center Diameter
 G = Thread Size
 B = Thread Depth
 S = Metal Thickness

Article No.	H (mm)	L (mm)	D1 (mm)	D2 (mm)	G	S (mm)	Max Load 45 ShA (Kg)	Max Load 60 ShA (Kg)
VBMM2030	30	18	20	15	M6	2	6	11.5
VBMM2040	40	18	20	15	M6	2	4.8	9.4
VBMM2522	22	18	25	22	M6	2	14.8	29
VBMM4028	28	23	40	35	M8	2	33	66
VBMM4625	25	28	46	40	M10	2	76	152
VBMM5030	30	28	50	40	M10	2	66	131
VBMM540	40	37	75	70	M12	3	148	290
VBMM10075	75	41	100	95	M16	3	230	455

This information is for guidance only. Customers are recommended to contact us for further technical information on products and applications. We reserve the right to alter specifications or withdraw products without notice.



PROFILE BOBBINS - FEMALE/FEMALE

H = Height
 L = Thread Length
 D1 = Mount Diameter
 D2 = Mount Center Diameter
 G = Thread Size
 B = Thread Depth
 S = Metal Thickness

Profile Bobbin Mounts are ideal for applications where high dynamic forces are applied, particularly where applications require high Shear/Compression. The oversized end metals allows for an improved bonded interface between the rubber & metal, to increase the fatigue life when the parts are used for high dynamic applications.

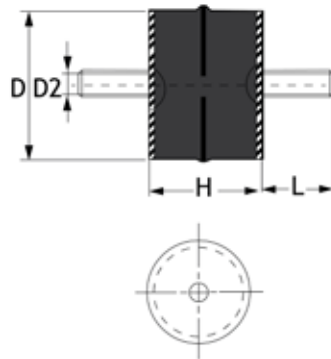
Applications:

- Vibratory rollers.
- Sieves and grading equipment.
- Industrial Machinery including diesel engines.

Material:

Natural Rubber

Article No.	H (mm)	D1 (mm)	D2 (mm)	G	B (mm)	S (mm)	Max Load 45 ShA (Kg)	Max Load 60 ShA (Kg)
VBFF2030	30	20	15	M6	6	2	4.5	8.7
VBFF2040	40	20	15	M6	6	2	3.2	6.3
VBFF2522	22	25	22	M6	6	2	12.5	24.7
VBFF4028	28	40	35	M8	8	2	22	43
VBFF4625	25	46	40	M10	10	2	64	125
VBFF5030	30	50	40	M10	10	2	56	111
VBFF7540	40	75	70	M12	12	3	135	267
VBFF10075	75	100	95	M16	16	3	202	400



PROFILE BOBBINS - INTERLEAF

Interleaf Bobbin Mounts are produced with an integrally bonded interleaf metal to increase the load capacity, they are ideal where large compressive forces need to be accommodated with relatively small amounts of deflection on the product.

H = Height
 L = Thread Length
 D = Mount Diameter
 G= Thread Size

Article No.	H (mm)	L (mm)	D (mm)	G	60 ShA (Max KG)	70 ShA (Max KG)	Static Deflection (mm)
VIB1392*	37	25	57	M10	250	340	2.6
VIB1388	37	25	57	M10	140	198	3

* Metal Interleaf

This information is for guidance only. Customers are recommended to contact us for further technical information on products and applications. We reserve the right to alter specifications or withdraw products without notice.